

**INQUIRY/ORDER FORM FOR special u-bolts**

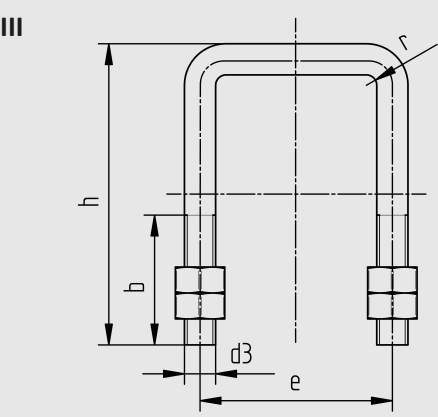
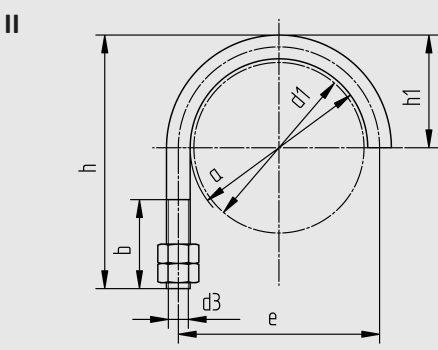
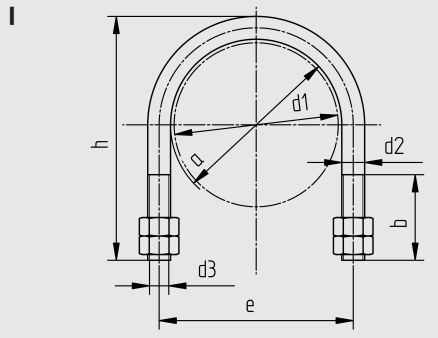
company: \_\_\_\_\_

name: \_\_\_\_\_

phone: \_\_\_\_\_

e-mail: \_\_\_\_\_

Please fill in your requested measures.  
 We will get in touch with you as soon as possible.



**u-bolt**

material: .....

quantity: .....

type :      I O      II O      III O  
 (tick desired type)

e .....

a .....

b .....

d1 .....

d2 .....

d3 .....

h .....

h1 .....

r .....

signature/stamp \_\_\_\_\_