

**INQUIRY/ORDER FORM FOR special pipe clamps**

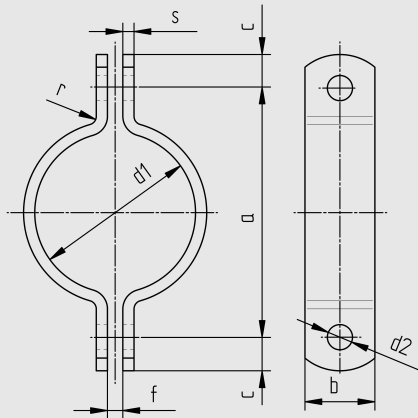
company: \_\_\_\_\_

name: \_\_\_\_\_

phone: \_\_\_\_\_

e-mail: \_\_\_\_\_

Please fill in your requested measures.  
 We will get in touch with you as soon as possible.



**pipe clamp**

material: .....

quantity: .....

b .....

s .....

c .....

a .....

f .....

r .....

d1 .....

d2 .....

\_\_\_\_\_  
 signature/stamp